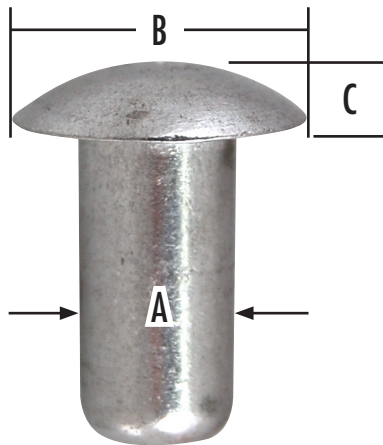


## MODIFIED BRAZIER HEAD SOLID ALUMINUM RIVETS

- Available in either hard or soft aluminum.
- Excellent for professional trailer repair applications.
- Modified brazier head gives these rivets a low profile head design.
- Alloys: 1100F – S, 2117T4 – H

### Standard Commercial Tolerances Dimensions

A	B	C
3/16	0.390	0.078
1/4	0.468	0.094
5/16	0.625	0.125

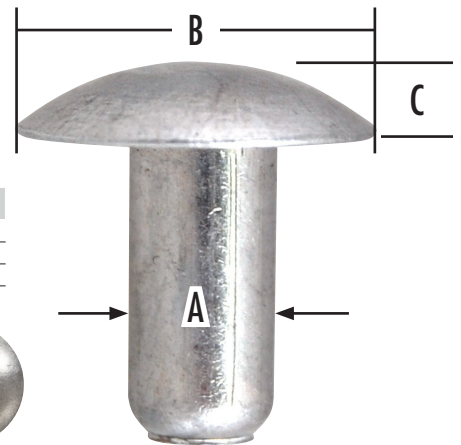


## FULL BRAZIER HEAD SOLID ALUMINUM RIVETS

- Available in either hard or soft aluminum.
- Excellent for professional trailer repair applications.
- Full brazier head design gives these rivets a larger bearing surface under the head; resulting in greater resistance to pull through.
- Alloys: 1100F – S, 2117T4 – H

### Standard Commercial Tolerances Dimensions

A	B	C
3/16	0.467	0.094
1/4	0.625	0.125
5/16	0.780	0.156

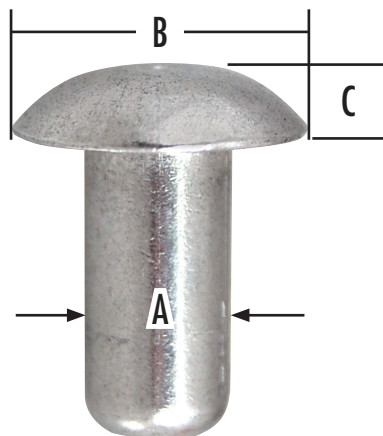


## UNIVERSAL HEAD SOLID ALUMINUM RIVETS

- Available in hard aluminum only.
- Excellent for professional trailer repair applications.
- Universal head gives these rivets a low-profile head design.
- Alloy: 2117T4 – H

### Standard Commercial Tolerances Dimensions

A	B	C
3/16	0.375	0.085
1/4	0.500	0.112
5/16	0.625	0.138
3/8	0.75	0.3125



## ROUND HEAD SOLID ALUMINUM BUCKING RIVET

- Available in hard aluminum only.
- Excellent for professional trailer repair.
- Round head design for specific cosmetic application.
- Alloy: 2117T4 – H

### Standard Commercial Tolerances Dimensions

A	B	C
3/8	.750	.281

